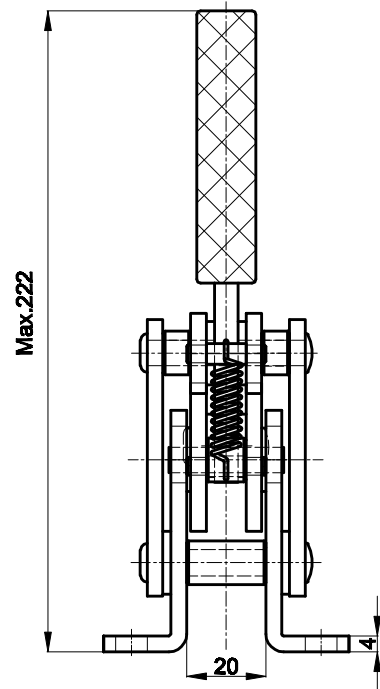
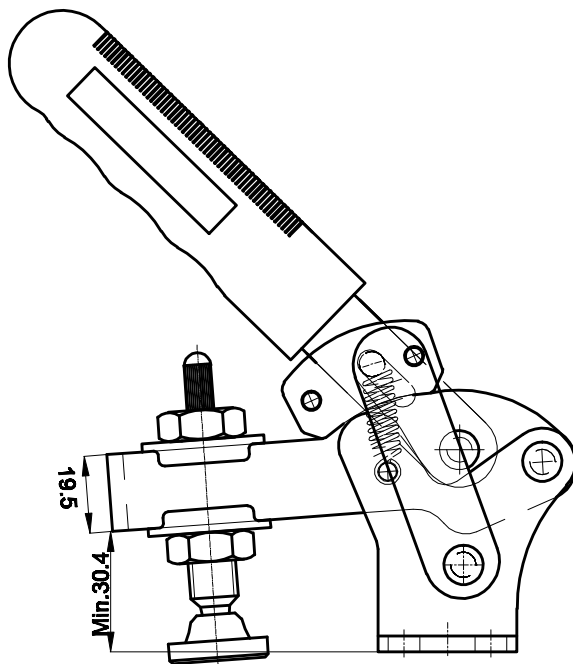
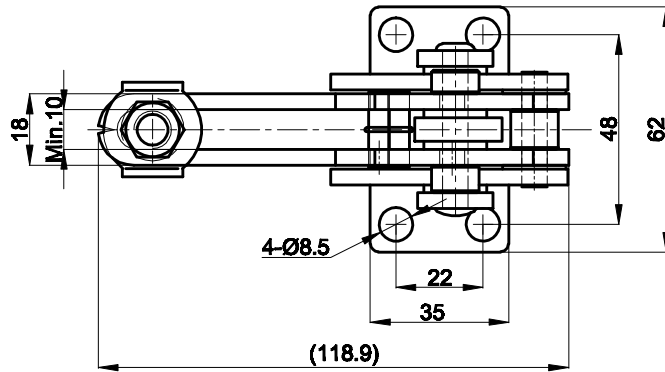




PART NUMBER: CH-60130

WEIGHT(g):680

HOLDING CAPACITY(kg):250



BAR OPENS:70'

HANDLE OPENS:165'

SPINDLE SUPPLIED:CH-SF-38300